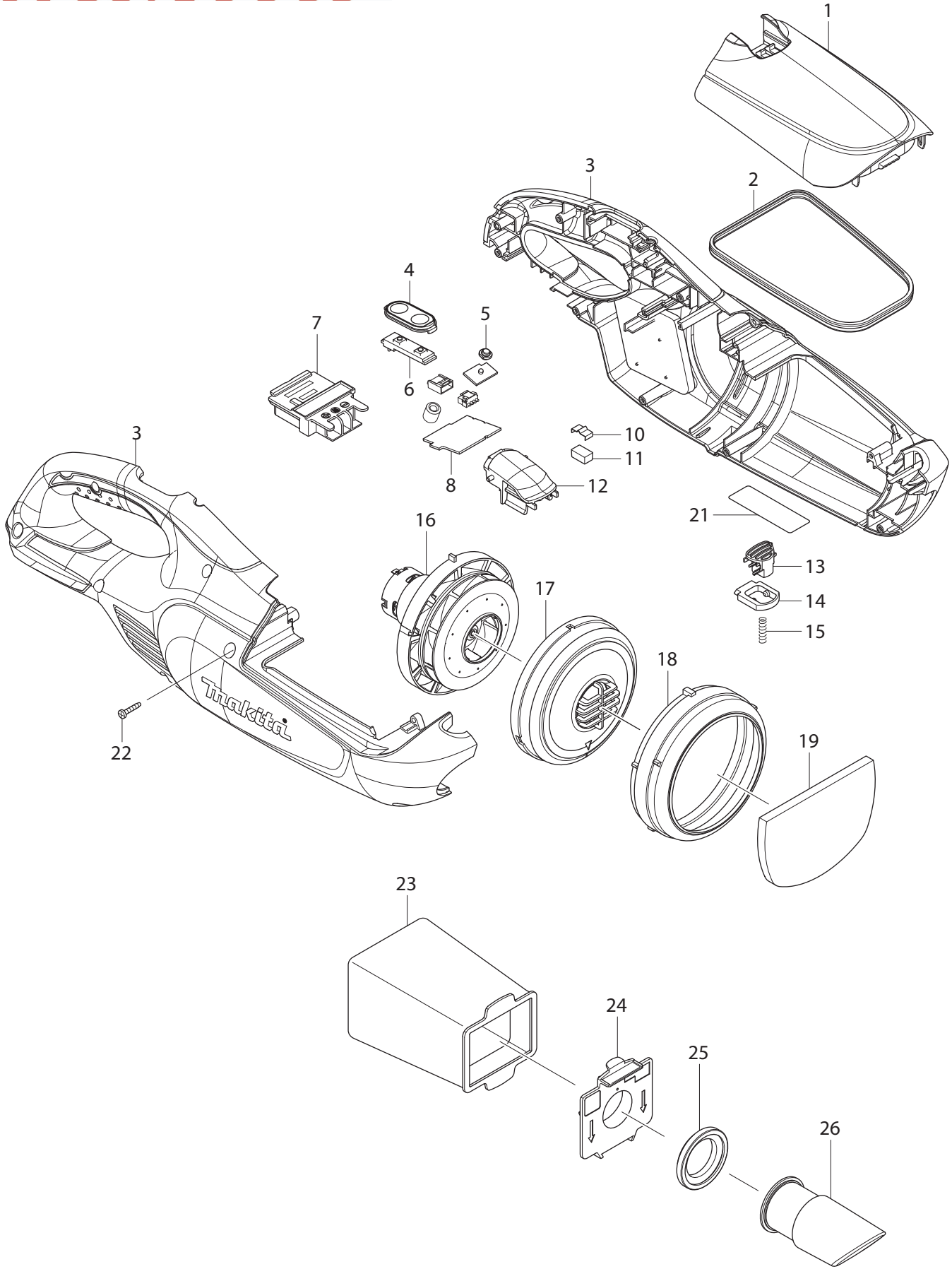




09 - 2011  
LXLC01Z / LXLC01Z1  
18V CLEANER (BLUE)



Item No	Type	Ref	Part No	Description	Qty	Unit
1			452349-8	FRONT COVER	1	PC.
2			424093-7	SEAL	1	PC.
		INC.	810526-2	CAUTION LABEL	1	PC.
		INC.	424209-4	SPONGE SHEET 50-50	2	PC.
3			188999-0	HOUSING SET	1	PC.
		INC.	816528-6	SWITCH LABEL	1	PC.
4			140463-9	SWITCH PLATE COMPLETE	1	PC.
5			450522-4	LENS	1	PC.
6			631973-2	SWITCH UNIT	1	PC.
7			643860-3	TERMINAL	1	PC.
8	1		620025-4	CONTROLLER	1	PC.
	2		638891-5	CONTROLLER UNIT	1	PC.
10			232264-0	LEAF SPRING	1	PC.
11			424367-6	RUBBER	1	PC.
12			140718-2	FRONT COVER JOINT COMPLETE	1	PC.
		INC.	233580-3	TORSION SPRING 4	1	PC.
		INC.	268271-7	PIN 3	1	PC.
13			452351-1	BUTTON	1	PC.
14			452352-9	STOPPER	1	PC.
15			234205-2	COMPRESSION SPRING 4	1	PC.
		INC.	452455-9	BASE	1	PC.
		INC.	265199-0	+ PAN HEAD SCREW M3X8	2	PC.
		INC.	240102-2	FAN 82	1	PC.
16			125932-1	MOTOR ASSEMBLY	1	PC.
17			416030-5	FAN COVER	1	PC.
18			424320-2	RUBBER RING	1	PC.
19			423287-1	SPONGE SHEET 70-106	1	PC.
21			868824-8	LXLC01 NAME PLATE	1	PC.
22			266429-2	TAPPING SCREW 3X16	9	PC.
23			166084-9	DUST BAG	1	PC.
24	1		158743-9	VALVE STAY COMPLETE	1	PC.
	2		141088-2	VALVE STAY COMPLETE	1	PC.
25			424094-5	PACKING	1	PC.
26			452345-6	INLET	1	PC.
D01			654069-2	RECEPTACLE	2	PC.
C01			871546-1	CARTON	1	PC.

### **ACCESSORIES**

A01			122859-6	NOZZLE ASS'Y(BLUE)	1	PC.
		INC.	424096-1	WIPER	1	PC.
		INC.	268208-4	PIN 3	4	PC.
		INC.	451410-8	ROLLER	4	PC.
A02			451243-1	SASH NOZZLE(BLUE)	1	PC.
A03			451244-9	PIPE(BLUE)	1	PC.
A04			451245-7	SASH NOZZLE HOLDER(BLUE)	1	PC.
A05			194566-1	PAPER FILTER SET (5PCS/SET)	1	SET
A06			122291-4	NOZZLE ASS'Y(F/CARPET)(IVORY)	1	PC.
A07			191496-7	FLEXIBLE HOSE(IVORY)	1	PC.
A08			191724-0	SHELF BRUSH(IVORY)	1	PC.
A09			A-37471	ROUND BRUSH SET(IVORY)	1	PC.

Item No	Type	Ref	Part No	Description	Qty	Unit
A10			194309-1	18V LI-ION BATTERY BL1815	1	PC.
			194428-3	18V LI-ION BATTERY BL1815 2/PK	2	PK
			194205-3	18V LI-ION BATTERY BL1830	1	PC.
			194230-4	18V LI-ION BATTERY BL1830 2/PK	2	PK
A11	1		DC18RA	CHARGER DC18RA	1	PC.
	2		DC18RC	CHARGER DC18RC	1	PC.
			DC18SD	CHARGER DC18SD	1	PC.
			DC18SE	AUTOMOTIVE CHARGER DC18SE	1	PC.
			DC18RAKIT	BATTERY BL1830+CHARGER DC18RA	1	KIT
A12			450128-8	BATTERY COVER	1	PC.